

GRABBER®



DECKMASTER® HIDDEN DECK FASTENING SYSTEM

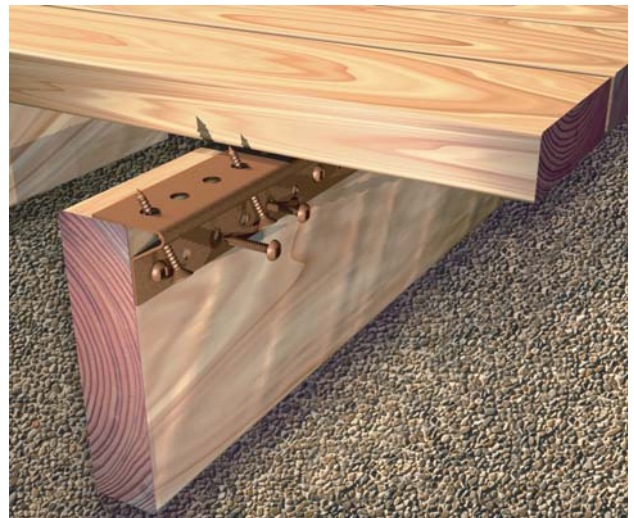
Lifetime Beauty Above
Hidden Strength Below

New! Natural Wood Color, ACQ Compliant Powder Coated Brackets and Screws

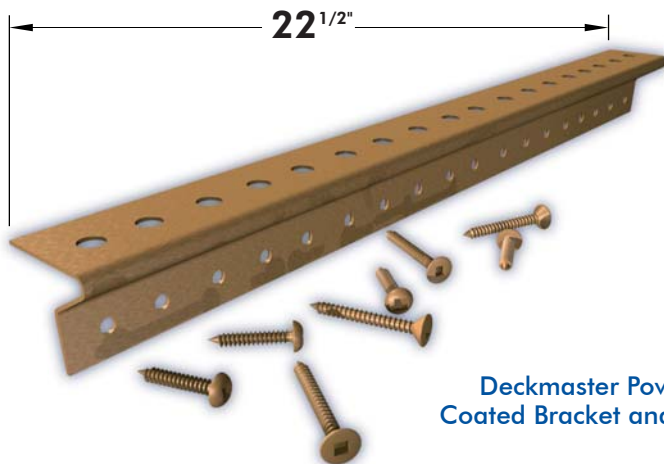
Preserve the beauty and the life of your deck with the new Deckmaster Powder Coated Brackets and Screws—corrosion resistant with a 50-year limited warranty. Enjoy the true and lasting beauty of the wood while creating a stronger, more secure deck.

Features and Benefits of the New Deckmaster Powder Coated Brackets:

- ▶ 50 Year Warranty
- ▶ ACQ Compliant
- ▶ Outstanding corrosion resistance.
- ▶ Powder Coating's natural wood color blends with the understructure of balconies.
- ▶ No metal shine between the deck boards.
- ▶ Spray painting the top of the brackets is eliminated.



When using the Deckmaster Fastening System, all fasteners are hidden beneath the deckboards. There is no surface penetration of the deckboards or joists. No moisture can enter deckboards or joists and cause nail or screw pop-ups or deck rot. No stains or splinters form around fastener holes.



Deckmaster Powder Coated Bracket and Screws

Also available in Stainless Steel with a Lifetime Warranty



For 5/4 deck boards



For 1 1/2" and thicker deck boards



For 3/4" hardwood decking
& hollow-core composites

New Deckmaster Packaging shown in 10 bracket box. Also available in 100 bracket box.

"If it's worth building, it's worth **GRABBER®**"